



## NJ 328 ECJ

- Popular item  
- SKF Explorer

### Cylindrical roller bearings, single row

#### Bearing data

##### Tolerances,

Normal (metric), P6, Normal (inch),

##### Radial internal clearance,

cylindrical bore, tapered bore,

##### Axial internal clearance,

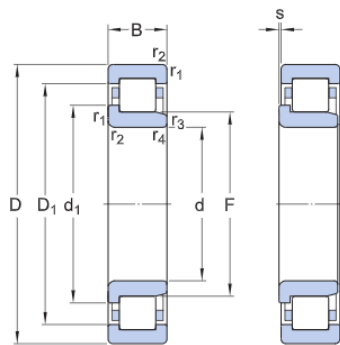
NUP, NJ + HJ

#### Bearing interfaces

##### Seat tolerances for standard conditions,

##### Tolerances and resultant fit

## Technical specification

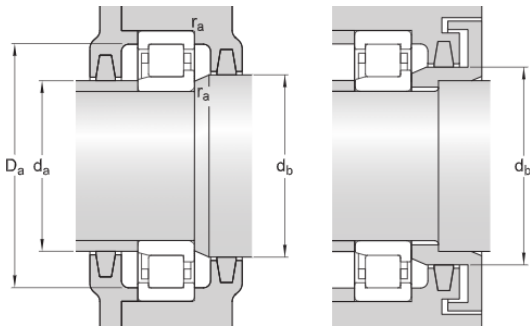


### DIMENSIONS

d	140 mm	Bore diameter
D	300 mm	Outside diameter
B	62 mm	Width
d1	≈195 mm	Shoulder diameter of inner ring
D1	≈250.6 mm	Shoulder diameter of outer ring
F	180 mm	Chamfer dimension of loose flange ring
r1,2	min.4 mm	Chamfer dimension
r3,4	min.4 mm	Chamfer dimension
s	max.3.7 mm	Permissible axial displacement

### ABUTMENT DIMENSIONS

da	min.157 mm	Diameter of spacer sleeve
da	max.175 mm	Diameter of spacer sleeve
db	min.199 mm	Diameter of shaft abutment
	max.282.5 mm	Diameter of



$D_a$	mm	housing abutment
$r_a$	max.3 mm	Radius of fillet

CALCULATION DATA

Basic dynamic load rating	C	780 kN
Basic static load rating	$C_0$	830 kN
Fatigue load limit	$P_u$	88 kN
Reference speed		2 400 r/min
Limiting speed		2 800 r/min
Minimum load factor	$k_r$	0.15
Limiting value	e	0.2
Axial load factor	Y	0.6

MASS

Mass	20 kg
------	-------

ASSOCIATED PRODUCTS

Angle ring	HJ 328 EC
------------	-----------